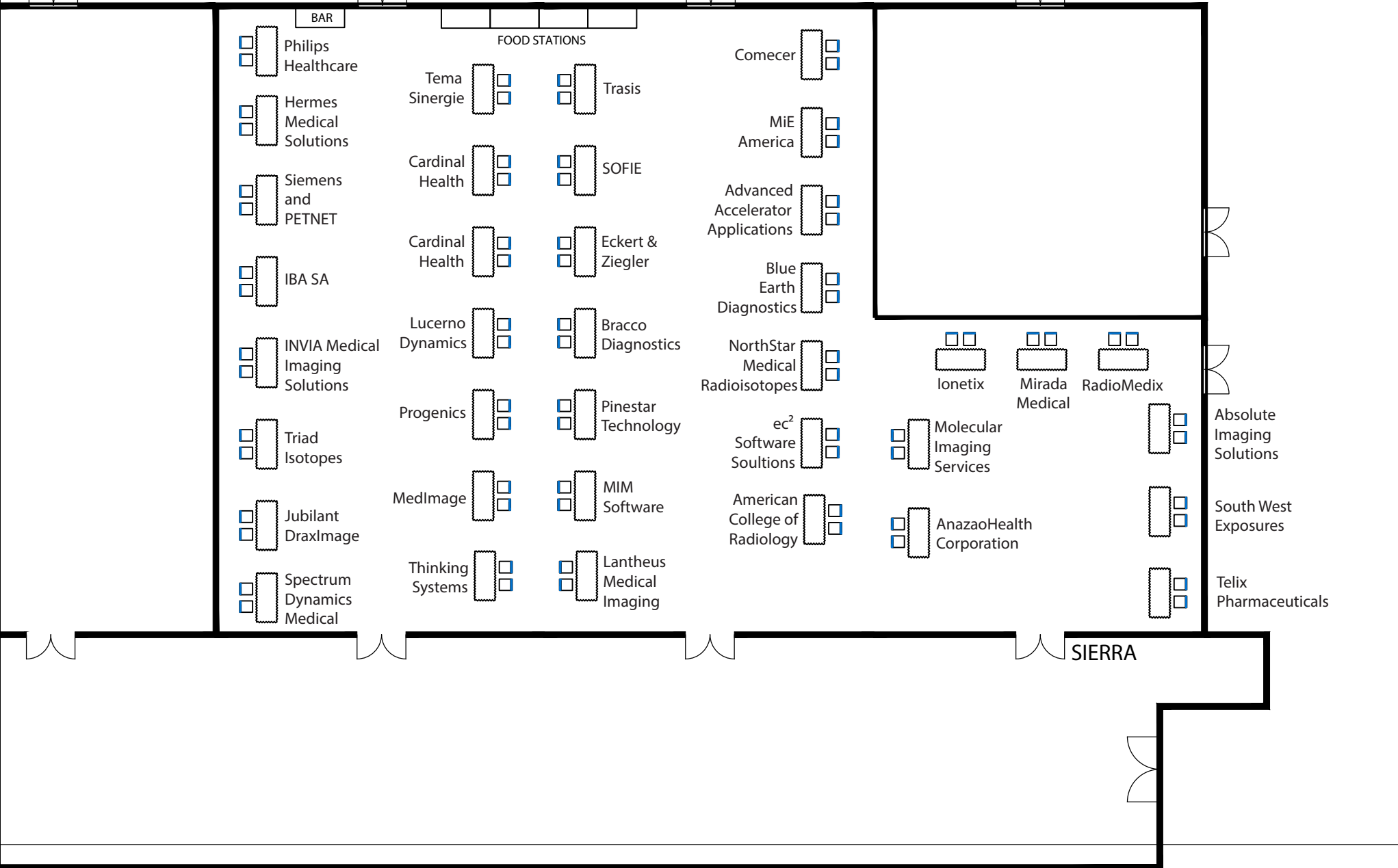


MADERA

PASADENA



\*This floor plan is subject to fire marshal approval.

<ul style="list-style-type: none"> <li>▪ Current As Of: 10-18-2018</li> <li>▪ Job No.: xx</li> <li>▪ Drawn By: SA</li> <li>▪ Scale: Fit To Page</li> </ul>
------------------------------------------------------------------------------------------------------------------------------------------------------------

SNMMI Mid Winter Meeting  
2018  
Renaissance Palm Springs Hotel  
California Ballroom  
Palm Springs, California

**THE EXPO GROUP**  
theexpogroup.com | 972.580.9000

**Disclaimer**  
Every effort has been made to ensure the accuracy of all information contained on this floor plan. However no warranties, either expressed or implied are made with respect to this floor plan. If the location of building columns, utilities or other architectural components of the facility is a consideration in the construction or usage of an exhibit, it is the sole responsibility of the exhibitor to physically inspect the facility to verify all dimensions and locations.